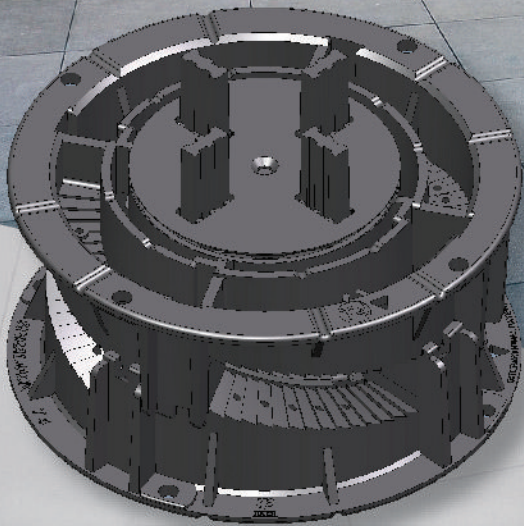




Quality Create The Future



Engineered in Australia

Z' Raiser S

Paver & Bearer Support

Z' Raiser S

Z' Raiser S pedestal is based on a unique 'step' design for supporting raised pavers and timber decking. It creates a cavity to conceal services, improves heat and sound insulation, facilitates rapid surface drainage and allows easy access to waterproofing and services. It also reduces efflorescence and algae growth and reduces paving installation costs.

Z' Raiser S is a height and slope-adjustable pedestal engineered to support pavers and decking to reduce material, construction and lifecycle costs.

Height range of Z' Raiser S is 12 mm to 74 mm, in 1mm increments. Additional height of 45 mm is obtained with the use of a SP-45E extender.

Z' Raiser S is used in areas such as balconies, swimming pool surrounds and courtyards.

Accessories include top/bottom slope-correctors, Z' spacer tabs, height extender, base plate and Z' bearer holders.

Advantages

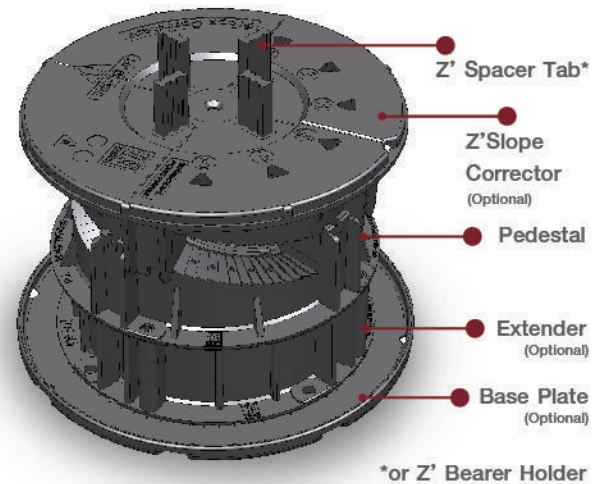
- Low minimum height of 12 mm
- Precise 1mm height adjustment
- Top and/or bottom slope correctors



Z' Raiser S providing support for pavers



Z' Raiser S providing support for timber decking



- Easy to install, cost effective and lightweight
- Made from 100% recycled materials
- Supports Green Building certification

Construction Benefits

Low minimum height is ideal for installations where other height-adjustable pedestals are generally too high to be used.

Eliminates need for bedding sand or cement screed, reducing the load burden on building structures. It also reduces installation time and costs.

Joint sealants and/or grouting is rendered unnecessary and expansion and contraction of pavers do not result in unsightly cracks.

Z' Raiser S may be used with Z' Raiser T24 or Z' Raiser pedestals, as an accessory for additional height adjustments.

High Compressive Strength

Z' Raiser S with Extenders up to 119mm has a compressive strength of $\geq 20\text{kN}$

Supports Green Building Certification

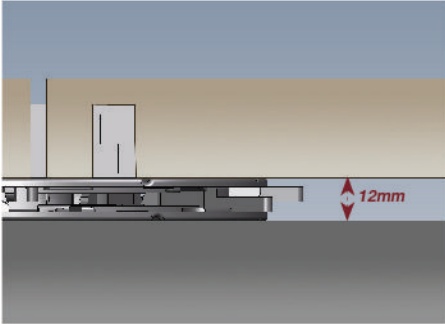
Z' Raiser S is manufactured from recycled materials which meet European Union RoHS requirements.

“Engineered to reduce material, construction and lifecycle costs.”

Distinctive Features

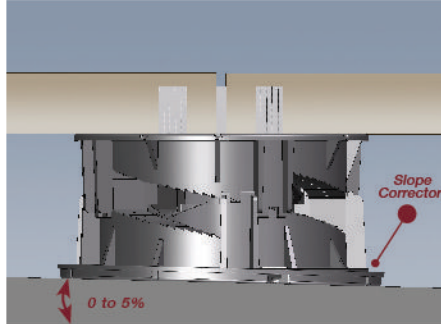
Minimum Height

12mm minimum height with 1mm stepped increments.



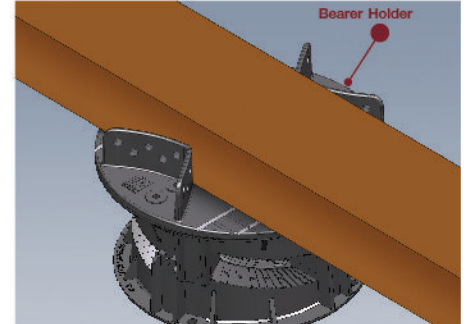
Slope Corrector

Used at top or bottom of pedestal for slope compensation of up to 5%.



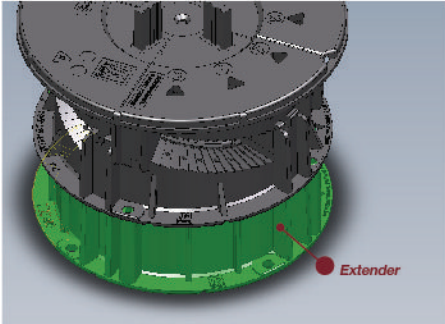
Z' Bearer Holder

Suitable for widths 35mm to 80mm to keep bearer firmly in place.



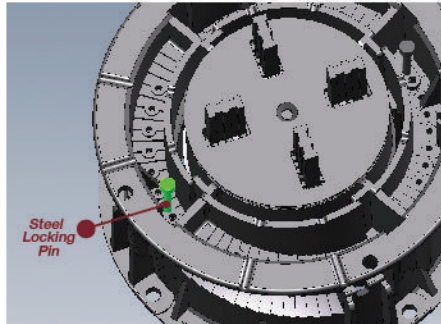
Extended Height

Additional 45mm height possible with use of SP-45E extender.



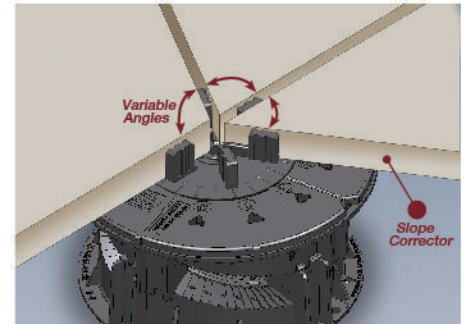
Stability

Desired height is secured with Steel Locking Pin.



Z' Angle Tab

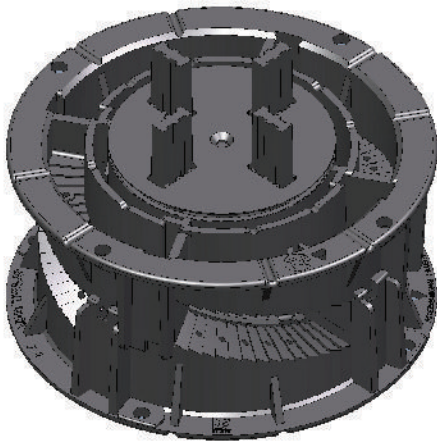
Z' Angle Tabs allow pedestals to support up to 8 pavers with different corner angles.



Z' Raiser S has international design registrations and patents pending.

Projects





Technical Specification

Material	Recycled Polypropylene
Height Range¹	12 mm to 119 mm
Ultimate Compressive Strength¹	20 kN
Base Diameter	154 mm 172 mm (with Slope Corrector)
Spacer Tab Height	15 / 25 mm
Spacer Tab Thickness	2 / 3 / 4 / 5 / 6 / 10 mm (gap between pavers)
Marginal Adjustments	1 mm
Bearer Holder	35 mm to 80 mm (bearer width)
Biological / Chemical Resistance	Unaffected by moulds and algae Good resistance to alkali and bitumen

¹ varies with different combinations

Accessories



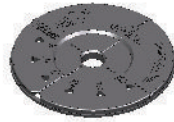
Z' 45E Extender



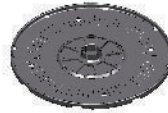
Z' Bearer Holder



Z' Joiner



Z' Slope Corrector



Z' Base Plate



Z' Mini Load Plate



Z' Spacer Tabs
2, 3, 4, 5, 6, 10 mm



Z' Angle Tab

Z' Raiser S Height Chart

110mm
80mm
50mm
20mm



20kN

110mm
80mm
50mm
20mm

