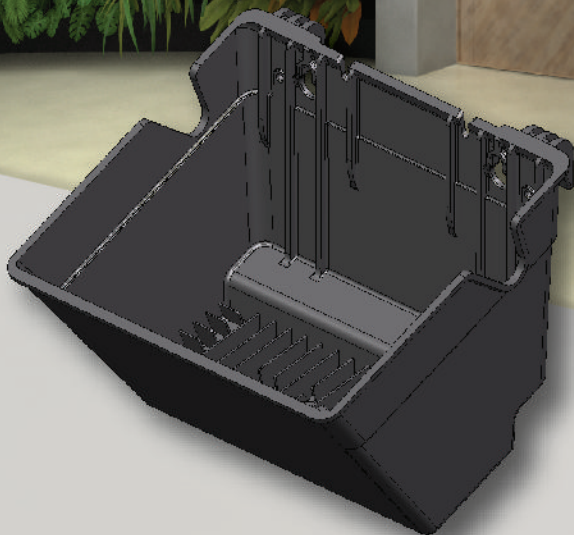




Quality Create The Future



# Z'LifeWall XR

Exclusively Design Tray



# Z'LifeWall XR

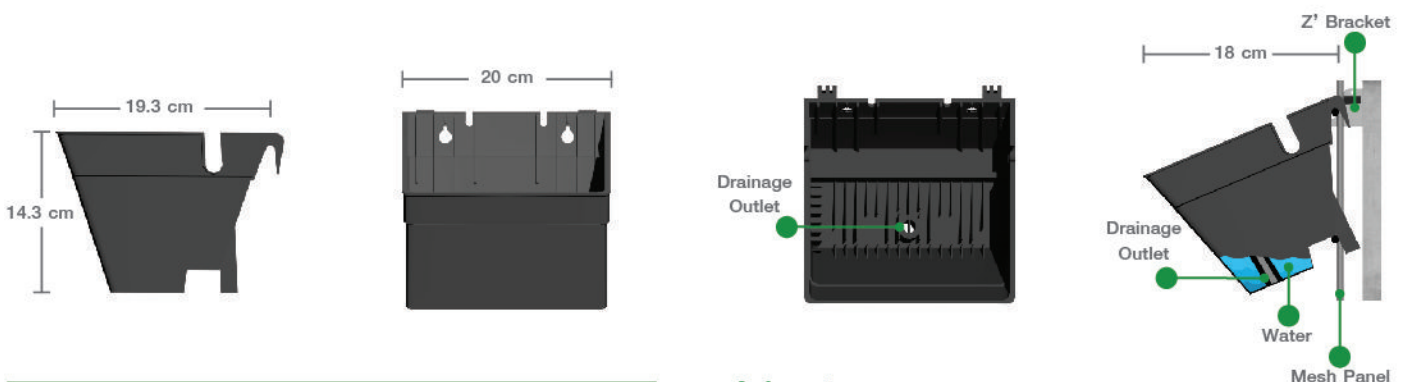
Z'LifeWall XR 20 and XR 50 offers a simple solution for installation of aesthetically pleasing living walls.

Z'LifeWall XR 20 is an easy-to-install and low-maintenance vertical greening system that allows simple and easy mounting on various mounting options. The system permits different installation and design requirements to be easily accommodated and met with a variety of easy growth media and plant density options.

Z'LifeWall XR 20 trays can be individually removed from their mounts for plant maintenance or design change.

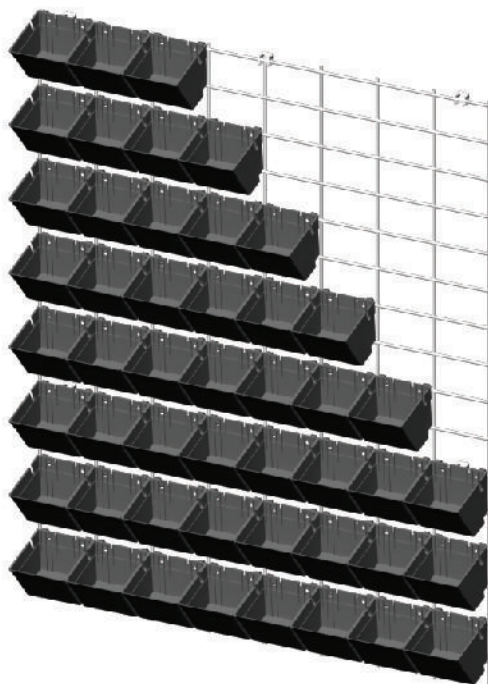
Each Z'LifeWall XR 20 tray has a water reservoir to supplement normal irrigation and help sustain plant growth in dry weather.

Z'LifeWall XR 20 Trays and Mounting Panels are manufactured from UV-stabilised recycled polypropylene that meets requirements for international "Green Building" certification.



## Technical Specifications

Material	Recycled Polypropylene ( UV-stabilised )
Color	Black
Size	200mm (W) x 143mm (H) x 193mm (D)
Weight	~6 kg/m <sup>2</sup> (unplanted) ~40 kg/m <sup>2</sup> (planted)



Z' LifeWall XR Galvanized Mesh Panel

## Advantages

### Planting Media

Allows wide choice of planting media.

### Drainage

Excess water flows into underlying trays and is discharged at bottommost tray.

### Planting Density

Vertical and horizontal spacing between trays may be varied or trays staggered for design or to vary plant density.

### Irrigation

Irrigation pipes are easily concealed at the rear or between trays.

### Versatile Mounting

Able to use wide variety of mounting options.

### Mounting Panel

Facilitates DIY installation and easy mounting of trays.

### Direct Mounting

Able to individually mount direct onto Wall using 2 keyholes at back of tray.

### Soil Volume

Holds 2.15 litre of media the equivalent of 180 mm diameter planting pot.

### Tray Width

Wide 200mm tray permits easy planting and allows space for plants to branch out as they mature.

# Z'Bracket

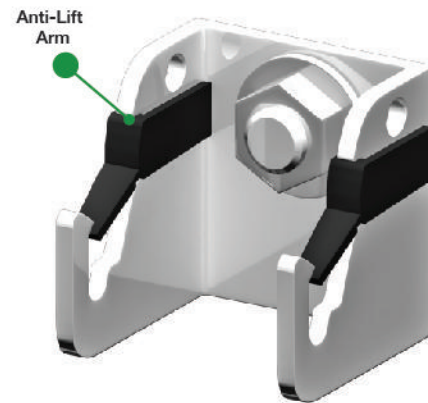
Z'Bracket is a robust stainless steel bracket to anchor welded mesh onto vertical surfaces for installing Z'LifeWall XR green wall.

Z'Bracket can be adjusted horizontally and vertically for easy alignment of individual welded mesh panels and to avoid obstacles like re-bars embedded in the wall. This enables the quick positioning and installation of the mesh panels on the wall.

Z'Bracket is engineered to facilitate use of fewer anchor points compared to conventional fastening systems using bolts of similar size with sleeves. The position of the bracket on the welded mesh does not interfere with installation of the Z'LifeWall XR trays.

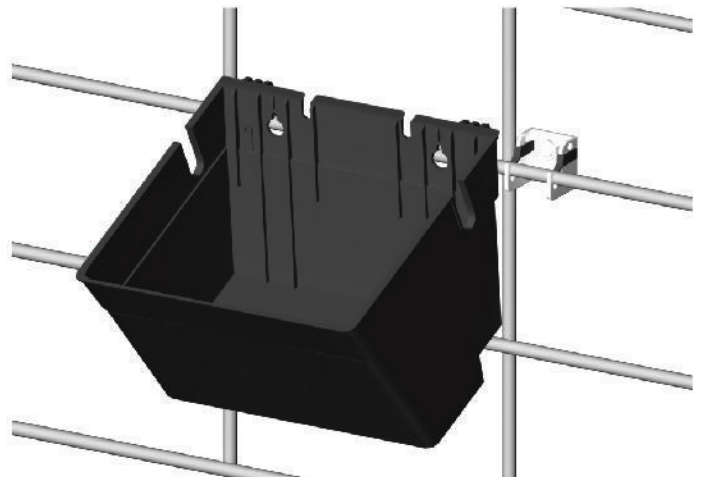
Z'Bracket provides a constant 30 mm gap between the mesh and wall for ventilation and allows services like irrigation lines to be conveniently secured at the back of the mesh away from view.

Z'Bracket has integrated flexible Anti-Lift Arms on each of its side wings to prevent the mesh from inadvertent dislodgement.



## Advantages

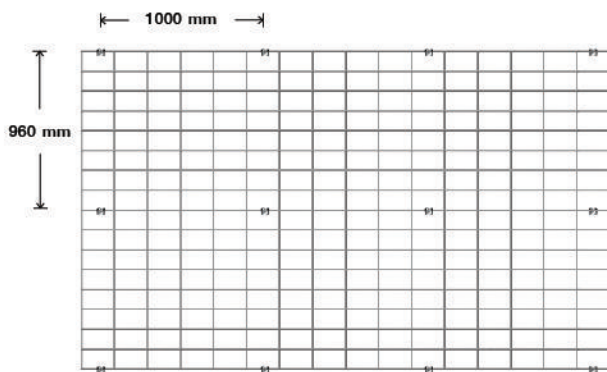
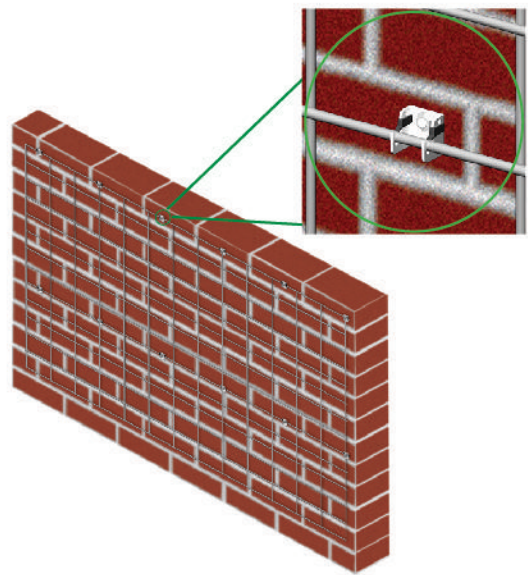
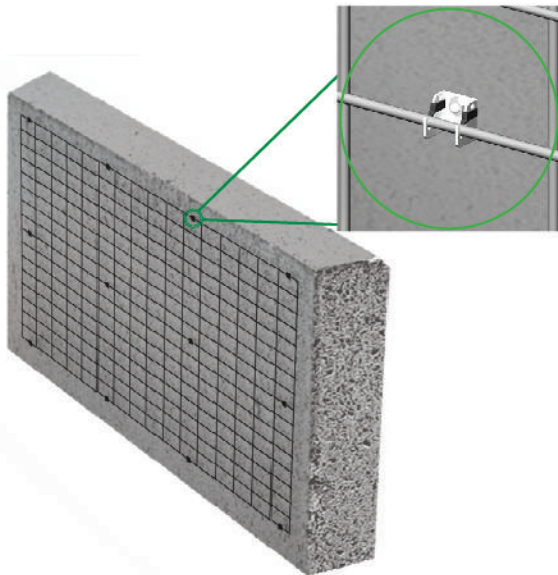
- Durable stainless steel
- Creates 30 mm gap between mesh and wall
- Integrated Anti-lift Arm prevents dislodgement
- Easy minor horizontal and vertical adjustments
- Less wall fastening points required
- Allows attachment of accessories
- Simple and easy installation



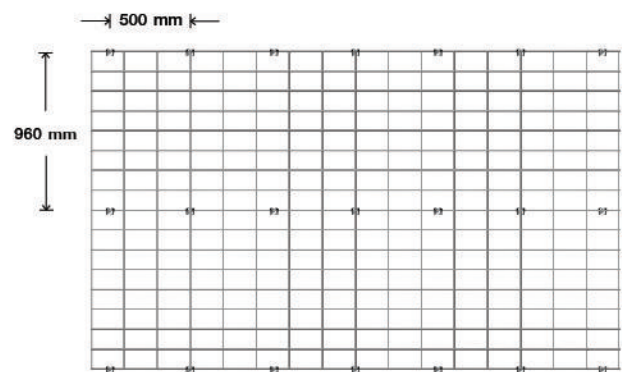


## Technical Specifications

	<b>Concrete Wall</b>	<b>Brick Wall</b>
<b>Anchor Grid (mm)</b>	960(H) x 1000(W)	960(H) x 1000(W)
<b>Anchor Type</b>	Hilti HSA-R M8x75 or equivalent	Hilti HIT-HY 70 with HAS-E-R M10x90 or equivalent
<b>Welded Mesh (mm)</b>	120(H) x 200(W) x 6Ø	
<b>Support Brackets</b>	3 mm stainless steel (Grade 304/316)	
<b>Design Load</b>	110 kg/m <sup>2</sup>	
<b>Bracket Shear Strength</b>	117 N/mm <sup>2</sup>	



Mounting on Concrete Wall



Mounting on Brick Wall



# Project References

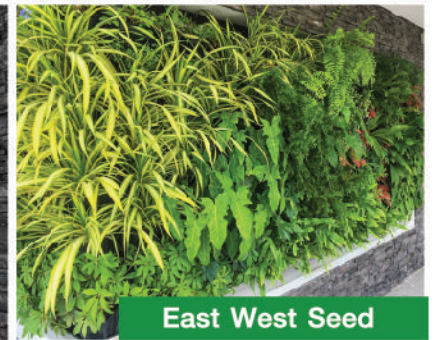


AVANI Riverside Bangkok Hotel









East West Seed

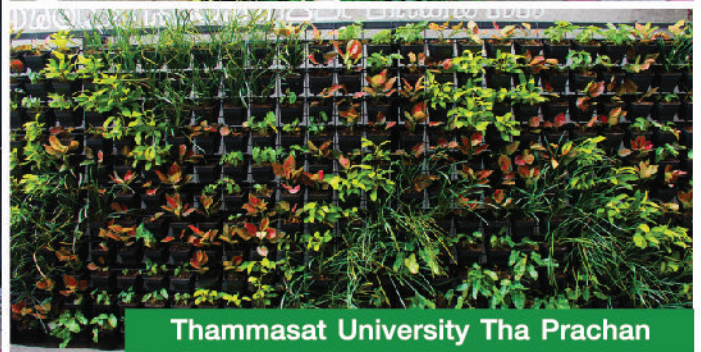


PTT Gas Station



Habitia Vent by Sansiri





Thammasat University Tha Prachan



**Zillion Innovation Co.,Ltd.**

36/55 Chatuchote Road 14., ONgoen, Saimai, Bangkok 10220  
 Tel: 02-156-9823, Fax: 02-156-9824, E-mail: zillion.doc@gmail.com  
[www.zillioninnovation.com](http://www.zillioninnovation.com)



Preferred Partner of

